



DUAL FMS/GPS/NAV/COM UPGRADE SOLUTION FOR PILATUS PC-12



PC-12 installation with IFD550 and IFD540, NGT9000R, AXP322 not shown

FMS/GPS/NAV/COM Upgrade Options

Avidyne IFD5-Series FMS/GPS/NAV/COM sets a new standard for integration in PC-12 navigation systems. Designed with real world flying conditions in mind, the IFD5-Series flight management system incorporates significant technology advancements that rival most GPS navigators on the market. Every detail and function of the IFD5-Series is engineered with purpose: to make flying simple, safer, and more enjoyable.

The IFD5-Series includes unique features such as a modern touchscreen with familiar knobs and buttons should touchscreen become cumbersome while flying in inclement weather. The easy-to-use Page & Tab interface makes necessary function location simple to find in less than two clicks. Avidyne's exclusive FMS Preview™ is a powerful flight planning feature that makes it even more intuitive to load flight plans by showing you a real-time graphical depiction of each proposed modification in Cyan prior to selection.

Additional Features:

- 3D Synthetic Vision with Terrain Awareness and FLTA
- Electronic Approach Charts and Airport Diagrams
- Integrated WiFi and Bluetooth®
- IFD100 App for iPad®
- 4-year warranty



PC-12 installation with Lynx NGT9000, IFD550 and IFD540, AXP322 not shown

Avidyne IFD5-Series: Pilatus PC-12 Package

FMS/GPS/NAV/COM Upgrade Options

Dual IFD 5-Series FMS Options are designed for upgrading the Dual GNS-530 equipped Pilatus PC-12. As a slide-in replacement for the obsolete GNS units, the Avidyne upgrade offers a feature-rich and affordable solution that will dramatically increase flight deck capabilities and greatly reduce installation time. With this minimally invasive approach, operators can achieve modernization in less time.



IFD550 FMS/GPS/NAV/COM

Avidyne's top-of-the-line FMS/GPS Navigator, the IFD550 combines the latest touchscreen WAAS/SBAS/GPS/VHF navigation and communication with 3D SVS technology.

IFD540 FMS/GPS/NAV/COM

The IFD540 FMS/GPS/NAV/COM features a 5.7" touchscreen Page & Tab interface, knobs and buttons, Synthetic Vision, WiFi/Bluetooth, CMax™ Jeppesen Electronic Charts and more. It's simple navigation right at your fingertips.



Flight Planning Made Easy

Entering and editing Flight Plans has never been easier than with the Avidyne IFD5-Series. It features easy-to-use flight planning with easy airway navigation, Avidyne's exclusive GeoFill™ waypoint nomination, and full autopilot integration. Its cross-fill capability automates the process of synchronizing flight plans in dual-FMS installations.



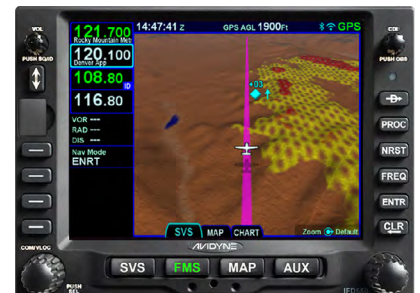
Electronic Charts & Airport Diagrams

Avidyne IFD5-Series' innovative implementation of Jeppesen's® chart services displays electronic terminal and approach charts and airport diagrams and includes a geo-referenced overlay of ownship present position and current flight plan. Easily updateable via the USB port on the IFD5-Series bezel.



3D Terrain & FLTA

Terrain Awareness (SVS-TA) is provided via hashed coloration of terrain. Textual and aural alerts are provided for terrain hazards. Forward Looking Terrain Alerting (FLTA) displays an impact point based on projected flight path. FLTA also provides visual CAS messaging & aural alerting.



The Avidyne IFD5-Series

| | IFD550 | IFD545 | IFD540 | IFD510 |
|-------------------|--------|--------|--------|--------|
| FMS/GPS | ✓ | ✓ | ✓ | ✓ |
| VHF NAV | ✓ | ✗ | ✓ | ✗ |
| VHF COM | ✓ | ✗ | ✓ | ✗ |
| 3D SVS | ✓ | ✓ | ✓ | ✓ |
| ARS + Dynamic SVS | ✓ | ✓ | ✗ | ✗ |
| WiFi/BT/FLTA | ✓ | ✓ | ✓ | ✓ |
| Radar | — | — | — | — |
| Video | — | — | — | — |

- Icon Key
- ✓ Standard
 - Optional
 - ✗ Unavailable

Transponder Options

Avidyne has a complete suite of ADS-B Transponders to meet the needs of any operator. Whether the objective is compliance with a mandate or compliance with enhanced surveillance with Dual Band ADS-B. In capability our product lines can meet your needs.

AXP-340 ADS-B Out Mode S

As part of our SkyTrax ADS-B line, the ADS-B Out AXP340 is a panel-mounted Class 1 Mode S Level 2 Datalink Transponder, with support for 1090MHz Extended Squitter (ES), that meets all the current requirements for Mode S elementary surveillance transponders for both IFR and VFR flight. The AXP322 remote mount transponder is also available.



Lynx™ NGT-9000

The Lynx NGT-9000 is a fully-compliant panel-mounted ADS-B Mode S Transponder with dual-band ADS-B IN capability. The Lynx NGT-9000 features a full touch screen display of subscription-free weather data, including METARs, AIRMETS, SIGMETs, and NEXRAD graphical displays overlaid on a moving map. Lynx's Traffic and Weather can also be displayed on the Avidyne IFD Series. The NGT9000R remote mount transponder is also available.

Package Add-ons

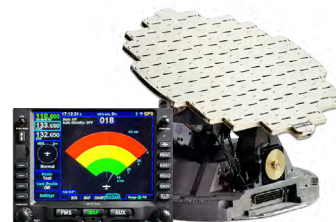
AMX240 Audio Panel

The AMX240 is a full-featured audio source selector panel, intercom, and marker beacon receiver that provides outstanding features and sound quality, with large, easy-to-read, LED backlit buttons.



RDR 2000/60/100

The Bendix King RDR 2000 digital weather radar provides a vertical picture of a pilot-selected cross-section of the storm. Save \$3,000 dollars on radar activation when RDR is purchased with an IFD5xx.



Avidyne IFD5-Series - The Right Fit

Specifications

Display(IFD550/545/540/510)

- 5.7" Diagonal w/ touchscreen
- Full VGA - 640x480 pixels
- 65,535 colors
- Ultrabright sunlight readable w/ LED backlighting

Dimensions

- Width: 6.30" (16.0cm)
- Height: 4.60" (11.7cm)
- Depth: 11.00"(27.5cm) behind panel including connector

Weight

- IFD550 - 9.19 lb (4.17 kg)
- IFD540 - 8.79 lb (3.99 kg)
- IFD545 - 7.48 lb (3.39 kg)
- IFD510 - 7.13 lb (3.23 kg)

Power Requirements

- 11 - 33VDC
- 4.4A/6.5A Xmit @ 14vdc
- 2.2A/4.0A Xmit @ 28vdc

GPS

- 16-Channel GPS/SBAS Receivers
- RTCA DO-178B and DO-254 Level B,
- RTCA DO-160E
- Meets DO-229D, Beta Class 3
- Accuracy:
 - Autonomous Position
 - 3 meters (CEP 50%)
 - 5 meters (95%)
 - SBAS Differential Position
 - 1 meter (CEP)
 - 3 meters (95%)
 - Velocity Accuracy 0.1 knots (95%)
- Dynamics:
 - Acceleration : 10g max
 - Speed : 1,000 knots
 - Altitude : 50,000 ft

VHF & VOR/LOC

- 10 Watt transmitter (Class 3, 5)
- Simultaneous reception of two channels, voice or data
- 8.33KHZ or 25KHZ Operation (Class C, E)
- VOR - RTCA DO-196
- LOC - RTCA DO-1965
- UHF GS - RTCA DO-192
- OPTIONAL: 16 Watt transmitter (Class 3, 5)

Warranty

- 2 or 4 year warranty
- AeroPlan™ extended warranty available

I/O

See website for complete list of Interfaces. www.avidyne.com

Power Requirements

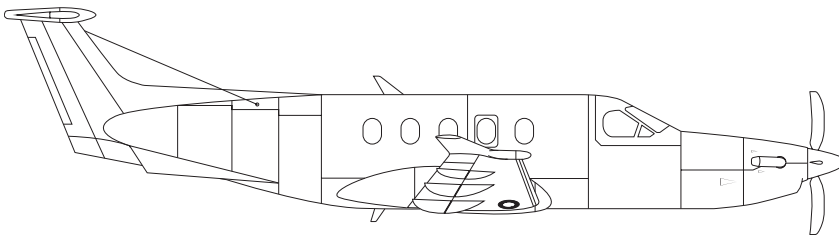
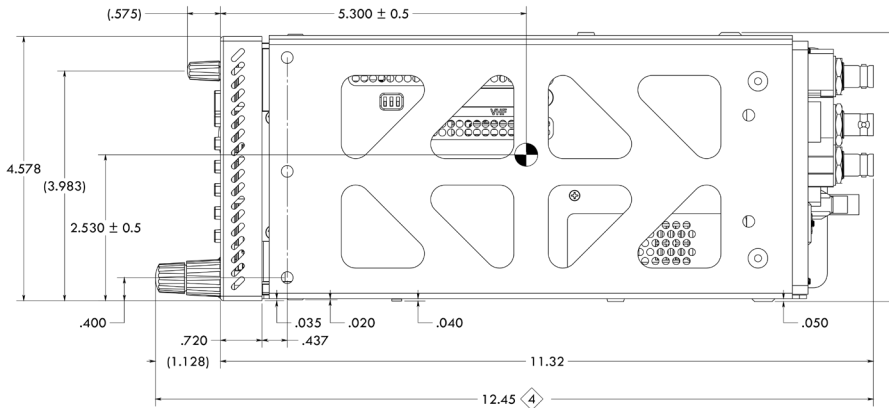
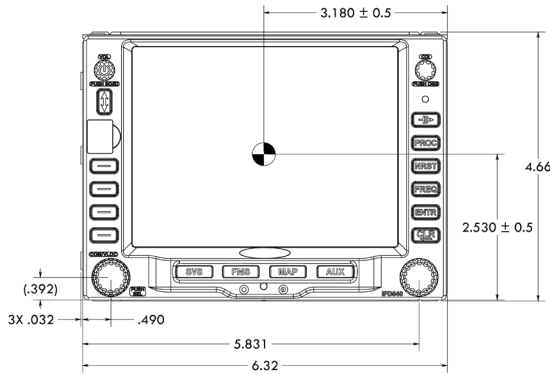
- 10 Watts nominal
- Optional 16Watt (for 28vdc installations only)

Environmental

- DO 160E
- To 50,000 ft.
- -20C to +55C Operating
- +70C Short Term

Cooling

- No external forced air cooling required



* Features and options subject to change without notice.

AVIDYNE®

Avidyne Corporation
710 North Drive
Melbourne, FL 32934