

# AVIDYNE® IFD510

FMS|GPS



Avidyne IFD510 FMS/GPS sets a new standard for integration in aviation navigation systems. Designed for the rigorous demands of military and special-mission aircraft. The IFD510 GPS Navigators were designed with real world flying conditions in mind. Every detail and function of the IFD510 is engineered with purpose: to make flying simple, safe and more enjoyable.

- **Hybrid touchscreen with traditional knobs and buttons**
- **Moving map with extensive airspace, terrain, navaid, and airport display capability**
- **Display of XM or ADS-B weather with full graphics as an overlay on the map**
- **Traffic display from TCAS, TAS, or ADS-B**
- **WiFi Integration with ForeFlight® and a host of other EFBs**
- **Class B NVIS compatibility available in compliance with RTCA/DO-275, MIL-L-85762A, and MIL-STD-3009 as required**
- **Optional integrated TAWS**

# Avidyne IFD510 - The Right Fit

## Specifications

### Display

- 5.7" Diagonal w/ touchscreen
- Full VGA - 640x480 pixels
- 65,535 colors
- Ultrabright sunlight readable w/ LED backlighting

### Dimensions

- Width: 6.30" (16.0cm)
- Height: 4.60" (11.7cm)
- Depth: 11.00" (27.5cm) behind panel including connector

### Weight

- IFD550 - 9.19 lb (4.17 kg)
- IFD540 - 8.79 lb (3.99 kg)
- IFD545 - 7.48 lb (3.39 kg)
- IFD510 - 7.13 lb (3.23 kg)

### Power Requirements

- 11 - 33VDC
- 4.4A/6.5A Xmit @ 14vdc
- 2.2A/4.0A Xmit @ 28vdc

### GPS

- 16-Channel GPS/SBAS Receivers
- RTCA DO-178B and DO-254 Level B,
- RTCA DO-160E
- Meets DO-229D, Beta Class 3
- Accuracy:
  - Autonomous Position
    - 3 meters (CEP 50%)
    - 5 meters (95%)
  - SBAS Differential Position
    - 1 meter (CEP)
    - 3 meters (95%)
  - Velocity Accuracy 0.1 knots (95%)
- Dynamics:
  - Acceleration : 10g max
  - Speed : 1,000 knots
  - Altitude : 50,000 ft

### Optional VHF & VOR/LOC

- 16 Watt transmitter (Class 3, 5)
- Simultaneous reception of two channels, voice or data
- 8.33KHZ or 25KHZ Operation (Class C, E)
- VOR - RTCA DO-196
- LOC - RTCA DO-1965
- UHF GS - RTCA DO-192

### Warranty

- 2 year warranty
- AeroPlan™ extended warranty available

### I/O

See website for complete list of Interfaces. [www.avidyne.com](http://www.avidyne.com)

### Power Requirements

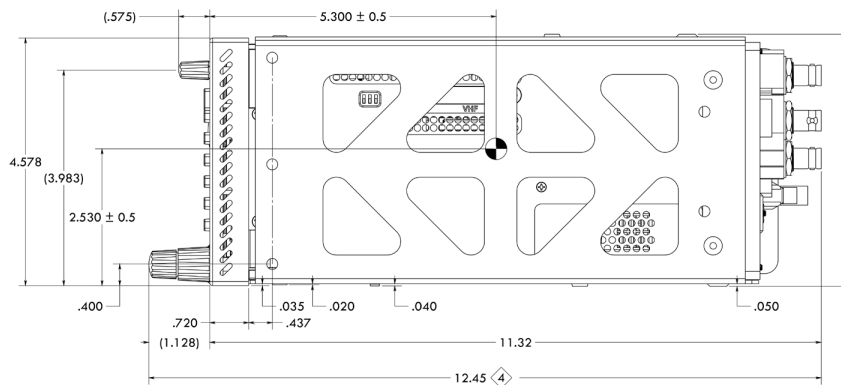
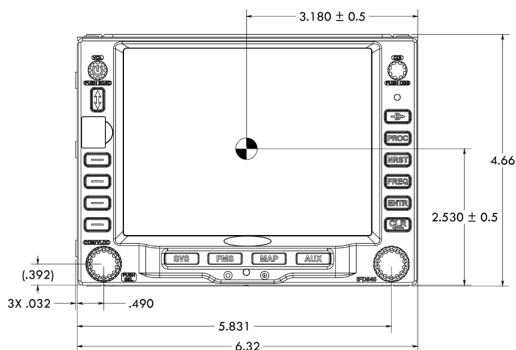
- 10 Watts nominal
- Optional 16Watt (for 28vdc installations only)

### Environmental

- DO 160E
- To 50,000 ft.
- -20C to +55C Operating
- +70C Short Term

### Cooling

- Built in cooling
- External cooling provision available



## Fully Functioning Trainer "Simulator" IFD Trainer for Ipad®



- **Fly a mission**
- **All functions & features of the IFD available in the trainer**
- **Built-in tutorial videos**
- **Built-in operator manuals**
- **Great tool for ground school enhancement**

