

COMPACT & CAPABLE MODE S

This transponder is an ED 73C and DO 181E Class 1 compliant Mode S level 2ELS datalink transponder, with support for extended squitter, elementary surveillance and SI codes for ADS B out operations with nominal transmitter power output of 250 watts.

The fully addressable AXP322 transponder responds to both legacy Mode A/C interrogations and to Mode S interrogations from both ground radar and airborne collision avoidance systems. By AVIDYNE

Interrogations are received by the transponder on 1030MHz, and replies are transmitted on 1090MHz. In the Mode S environment, S stands for Select, and a Mode S interrogator can selectively address a single transponder. This allows accurate position plotting with lower reply rates, which in turn reduces frequency congestion and interference.



REMOTE CONTROL SAVES PANEL SPACE

The transponder accepts virtual control from a number of compatible displays. This allows the transponder to be mounted separately from the instrument panel, reducing the amount of panel space taken by the transponder. A Weight on Wheels (WOW) input allows for automatic switching in and out of Ground Mode.

Avidyne AXP322 - The Right Fit

Specifications

Weight: 0.80lbs (0.59kg)

Height: 1.90" (47.90mm)
Width: 2.50" (64.00mm)
Depth: 6.30" (160.06mm)

Power Requirements

Power: 11-33vdc
0.2A @ 28vdc

Environmental

DO160G qualified

- To 35,000 ft.
- -20°C to +70°C

Cooling

No external cooling required.

I/O

I/O	QTY
RS485	1
RS232	1
Discrettes	4

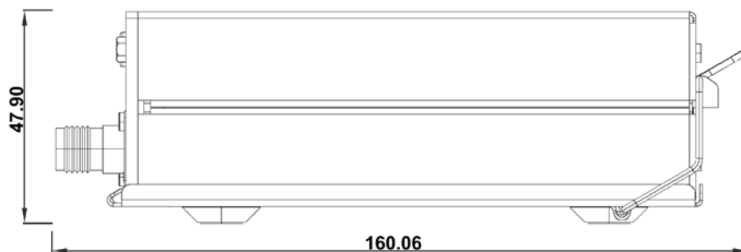
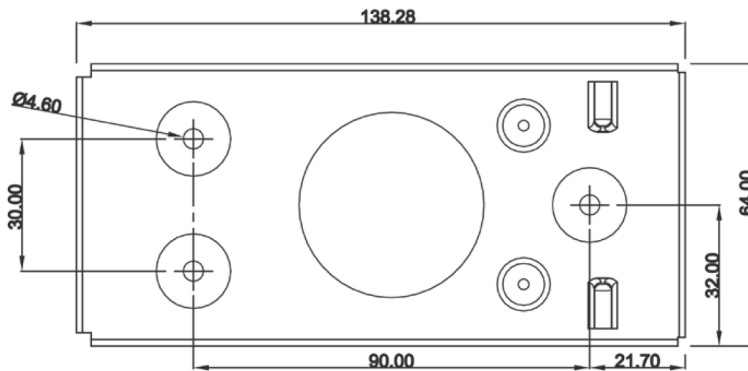
Compliance

DO-178: DAL C

DO-254: DAL C

DO-160: A2/C1, C, A, B, B, U/G, X, X, X, X, X, X, Z, BX, B, B, AC, R, M, B2H22, X, X

TSOs: TSO-112c and TSO-C166b



* Features and options subject to change without notice.