

AVIDYNE® ATLAS

FMS | GPS

Avidyne Atlas is a new multifunction SBAS flight management system that sets a new standard for integration in turbine class navigation systems. Avidyne Atlas FMS provides full Required Navigation Performance (RNP) and Area Navigation (RNAV) capability, including Localizer Performance with Vertical (LPV), Lateral Navigation Vertical Navigation (LNAV/VNAV), LNAV-Only, and Approach Procedures with Vertical (APV) approach modes.



- **ATLAS FMS for Business Aviation Aircraft**
- **ATLAS retains all the same great features of the panel-mounted IFD Series in a 5.75-in. dzus-width form factor**
 - Hybrid Touch
 - Page & Tab User interface
 - GeoFill™ makes data entry easier
 - 3D Synthetic Vision
 - Jeppesen® Approach Charts & Airport Diagrams
 - Terrain Awareness & Forward-Looking Terrain Alerting (FLTA)
 - Wireless Connectivity
- **Adds full QWERTY-style dedicated keyboard**



Avidyne ATLAS - The Right Fit

Specifications

Display

- 5.7" Diagonal w/Touch Screen
- Full VGA - 640 x 480 pixels
- 65,535 colors
- Ultrabright sunlight readable w/LED Backlighting

Dimensions

- Height 7.500" (190.50 mm)
- Width 5.750" (146.05 mm)
- Depth 9.885" (251.08 mm)
- Depth w connectors 11.900" (302.26 mm)
- Weight 8.50 lbs (3.855 kgs)

Weight

- Weight 8.50 lbs (3.855 kgs)

Power Requirements

- 11 - 33VDC at 2.2A(4.0A XMIT at 28VDC)

Environmental

- DO 160E
- To 50,000 Ft
- -20C to +55C Operating
- +70C Short Term

GPS

- 16-Channel GPS/SBAS Receivers
- RTCA DO-178B and DO-254 Level B,
- RTCA DO-160E
- Meets DO-229D, Beta Class 3

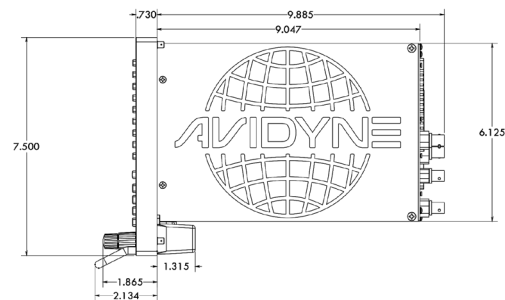
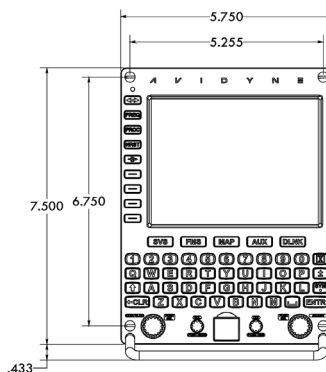
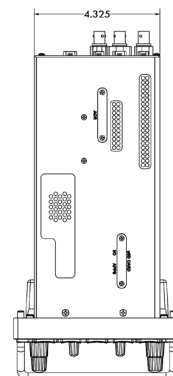
Optional VHF & VOR/LOC

- 16 Watt transmitter (Class 3, 5)
- Simultaneous reception of two channels, voice or data
- 8.33KHZ or 25KHZ Operation (Class C, E)
- VOR - RTCA DO-196
- LOC - RTCA DO-1965
- UHF GS - RTCA DO-192

Applicable TSOs

- TSO-C34e - ILS Glide Slope Receiving Equipment Operating within the Radio Frequency Range of 328.6-335.4 Megahertz (MHz)
- TSO-C36e - Airborne ILS Localizer Receiving Equipment Operating within the Radio Frequency Range of 108-112 Megahertz (MHz)
- TSO-C40c - VOR Receiving Equipment Operating within the Radio Frequency Range of 108-117.95 Megahertz (MHz)

- TSO-C44c - Fuel Flowmeters
- TSO-C110a - Airborne Passive Thunderstorm Detection Equipment
- TSO-C112e - Air Traffic Control Radar Beacon System/Mode Select (ATCRBS/ Mode S) Airborne Equipment
- TSO-C113a - Airborne Multipurpose Electronic Display
- TSO-C118 - Traffic Alert and Collision Avoidance System (TCAS) Airborne Equipment, TCAS I
- TSO-C128a - Devices that Prevent Blocked Channels Used in Two-Way Radio Communications Due to Unintentional Transmissions
- TSO-C146d - Stand-Alone Airborne Navigation Equipment Using the Global Positioning System (GPS) Augmented by the Wide Area Augmentation System (WAAS). Airborne Supplemental Navigation Equipment Using the Global Positioning System (GPS) - Gamma 3
- TSO-C147 - Traffic Advisory System (TAS) Airborne Equipment - Class A (Display Functions Only)
- TSO-C157a - Aircraft Flight Information Services - Broadcast (FIS-B) Datalink Systems and Equipment
- TSO-C165 - Electronic Map Display Equipment for Graphical Depiction of Aircraft Position
- TSO-C169a - VHF Radio Communications Transceiver Equipment Operating Within The Radio Frequency Range 117.975 To 137.000 Megahertz - Class C, E, 3 and 5



* Features and options subject to change without notice.